

7. Trigger the start

- To trigger the start, **make a loud sound** (e.g. clap or gunshot) close to the transmitter (**within approx. 1m for an optimal detection**).
- When the transmitter detects the sound signal, it instantly triggers the start of the transponder timer. The green MIC led flashes to indicate that the start has been triggered.

Further information

Battery and battery life

The PowerUnit has a **3.7V 5AH LiPo rechargeable battery**.

- **Low battery indicator:** When the battery is low, the PWR led flashes red.

- **Recharging the battery:**

- Connect the USB port of the power cable (supplied) to a USB socket. Unscrew the sealing cap from CHG port and connect the power cable to the CHG port.
- It is recommended to make complete charges (charging time: 10h).
- When the battery is fully charged, the device has a battery life of 50h.
- The PowerUnit has an automatic shutdown function (after 12h), to save the battery.

Technical sheet

- Weight: 700 g
- Dimensions: PowerUnit 75 x 140 x 25 mm / SpaceUnit: Diameter 65 cm
- Compatibility: FxChip / FxChip BLE
- Transmitter with 2 modes: Tx / Mic
- Transmitter with 3 codes: START / LAP / FINISH
- Detection field: 6 m
- Minimum time between 2 transmitters: 0,7 s
- Accuracy: 2/100 of a second
- Water resistance: IP67
- Operating temperatures: -20°C to +50°C

Technical support

Find our FAQ (Frequently Asked Questions), as well as other manuals and user guides, on our website at: www.freelap.com/support

If you cannot find the answers to your questions, please contact your Freelap dealer. Find the list of Freelap dealers at: www.freelap.com/freelap-contact

After-sales service & warranty

The PowerUnit & SpaceUnit are guaranteed 2 years. If you have any questions or if you need assistance with your device, please contact your Freelap dealer.

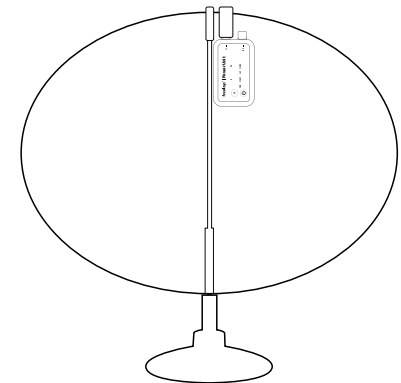
FREELAP SA

Av. D.-Jeanrichard 2A CH-2114 Fleurier – Switzerland
+41 32 861 52 42 - www.freelap.com



freelap[®]
freedom of timing

PowerUnit & SpaceUnit



About the PowerUnit & SpaceUnit

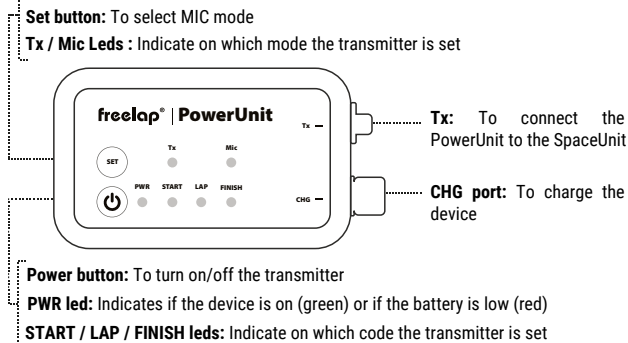
PowerUnit is the start transmitter specially designed for sounds starts. Thanks to its microphone, it starts the transponder's timer as soon as it detects a noisy sound nearby (such as a clap or a gunshot). It is associated with an antenna flag, the SpaceUnit, which provides a wider detection zone (6m), and lets trigger the start on up to 8 lanes.

Use of the PowerUnit & SpaceUnit

1. Prerequisites

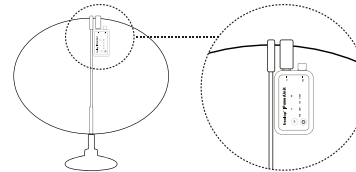
PowerUnit & SpaceUnit transmitter is a part of the Freelap timing system. To get your timing data, you must **attach the transponder(s) to the athlete(s)** and **use the MyFreelap app** (cf corresponding user manuals).

2. Get to know the PowerUnit



3. Install the PowerUnit & SpaceUnit

- Take the SpaceUnit out of its packaging, the ellipse will take shape itself.
- **Join the 2 central axes**, fitting them together to stiffen the structure.



- **Connect the SpaceUnit to the Tx port of the PowerUnit.**

4. Turn on and set the PowerUnit

- **Press 2s on the Power button to turn on the transmitter.**
- **Press on the Set button to select the MIC mode.** Each press of the Set button switches you to the next mode. The LED of the MIC mode must flash. The START led automatically lights up to indicate that the transmitter is set as a START transmitter.

5. Place the PowerUnit & SpaceUnit

- Place the transmitter on the ground, **at a distance of 2 meters behind the start line.**
- **The Freelap logo must face toward the start line.**
- If you time on 8 lanes, place the transmitter between lanes n°4 and n°5.

- ⚠ Placing the transmitter at any other location or position may result in inaccuracies or non-detection.

6. Associate it with other Freelap transmitters

To make Freelap timing system work, **you must have a transmitter set with the code FINISH on your track.**

PowerUnit is a START transmitter.

- **You must add 1 FINISH transmitter** (e.g: 1 Tx Junior Pro transmitter set with the code FINISH), **placed 80cm AFTER the desired distance.**
- You can add more Freelap transmitters (e.g: 1 Tx Junior Pro transmitter set with the code LAP to get intermediate LAP times), **placed 80cm AFTER the desired distance.**

- ⚠ **The transmitters must be minimum 0.7 second appart.**
- **Your track must contain a maximum of 11 transmitters.**

> Example: Time 100m (2x50m) - 8 athletes :

